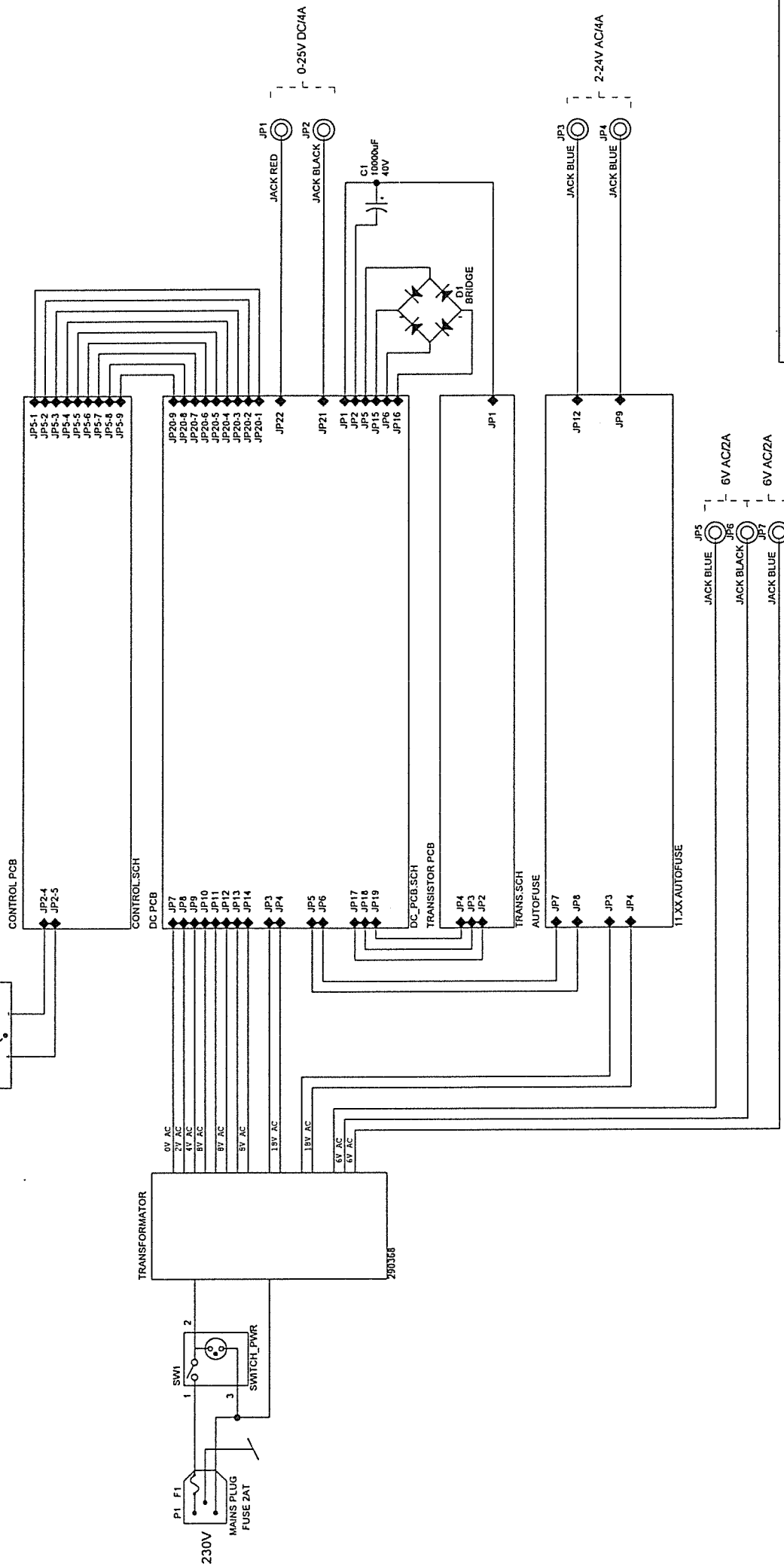
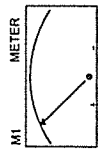
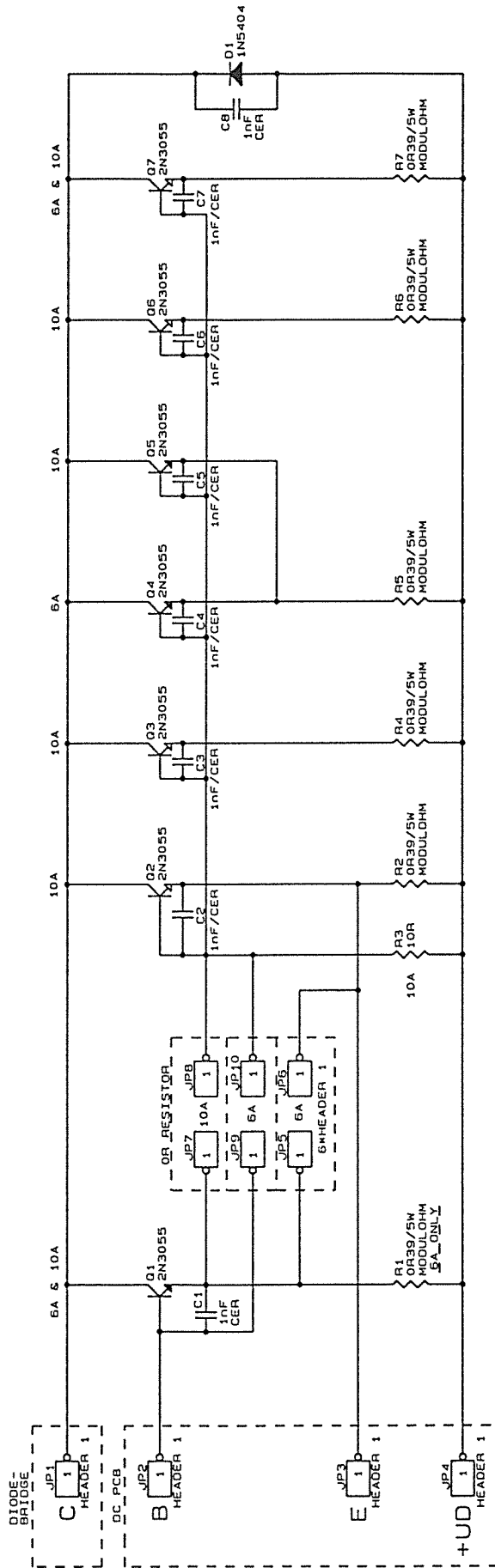


TYPE	DC OUTPUT	AC OUTPUT	EKSTRA AC OUTPUT
11.17	ANALOG	0-25V/6A DC	+ 0-30V/6A AC
11.18	DIGITAL	0-25V/6A DC	+ 0-30V/6A AC
11.19	ANALOG	0-25V/10A DC	+ 0-30V/6A AC
11.20	DIGITAL	0-25V/10A DC	+ 0-30V/6A AC
11.68	DIGITAL	0-25V/10A DC	+ 0-30V/6A AC
11.59	ANALOG	0-25V/10A DC	+ 0-30V/6A AC
11.72	DIGITAL	0-25V/10A DC	+ 0-30V/6A AC
11.73	ANALOG	0-25V/10A DC	+ 0-30V/6A AC
11.74	DIGITAL	0-25V/10A DC	+ 0-30V/6A AC
11.75	ANALOG	0-25V/10A DC	+ 0-30V/6A AC
11.76	DIGITAL	0-25V/10A DC	+ 0-30V/6A AC
11.77	ANALOG	0-25V/10A DC	+ 0-30V/6A AC
11.78	DIGITAL	0-25V/10A DC	+ 0-30V/6A AC
11.79	ANALOG	0-25V/10A DC	+ 0-30V/6A AC
11.80	DIGITAL	0-25V/10A DC	+ 0-30V/6A AC
11.81	ANALOG	0-25V/10A DC	+ 0-30V/6A AC
11.82	DIGITAL	0-25V/10A DC	+ 0-30V/6A AC
11.83	ANALOG	0-25V/10A DC	+ 0-30V/6A AC
11.84	DIGITAL	0-25V/10A DC	+ 0-30V/6A AC
11.85	ANALOG	0-25V/10A DC	+ 0-30V/6A AC
11.86	DIGITAL	0-25V/10A DC	+ 0-30V/6A AC
11.87	ANALOG	0-25V/10A DC	+ 0-30V/6A AC
11.88	DIGITAL	0-25V/10A DC	+ 0-30V/6A AC
11.89	ANALOG	0-25V/10A DC	+ 0-30V/6A AC
11.90	DIGITAL	0-25V/10A DC	+ 0-30V/6A AC
11.91	ANALOG	0-25V/10A DC	+ 0-30V/6A AC
11.92	DIGITAL	0-25V/10A DC	+ 0-30V/6A AC
11.93	ANALOG	0-25V/10A DC	+ 0-30V/6A AC
11.94	DIGITAL	0-25V/10A DC	+ 0-30V/6A AC
11.95	ANALOG	0-25V/10A DC	+ 0-30V/6A AC
11.96	DIGITAL	0-25V/10A DC	+ 0-30V/6A AC
11.97	ANALOG	0-25V/10A DC	+ 0-30V/6A AC
11.98	DIGITAL	0-25V/10A DC	+ 0-30V/6A AC
11.99	ANALOG	0-25V/10A DC	+ 0-30V/6A AC
12.00	DIGITAL	0-25V/10A DC	+ 0-30V/6A AC

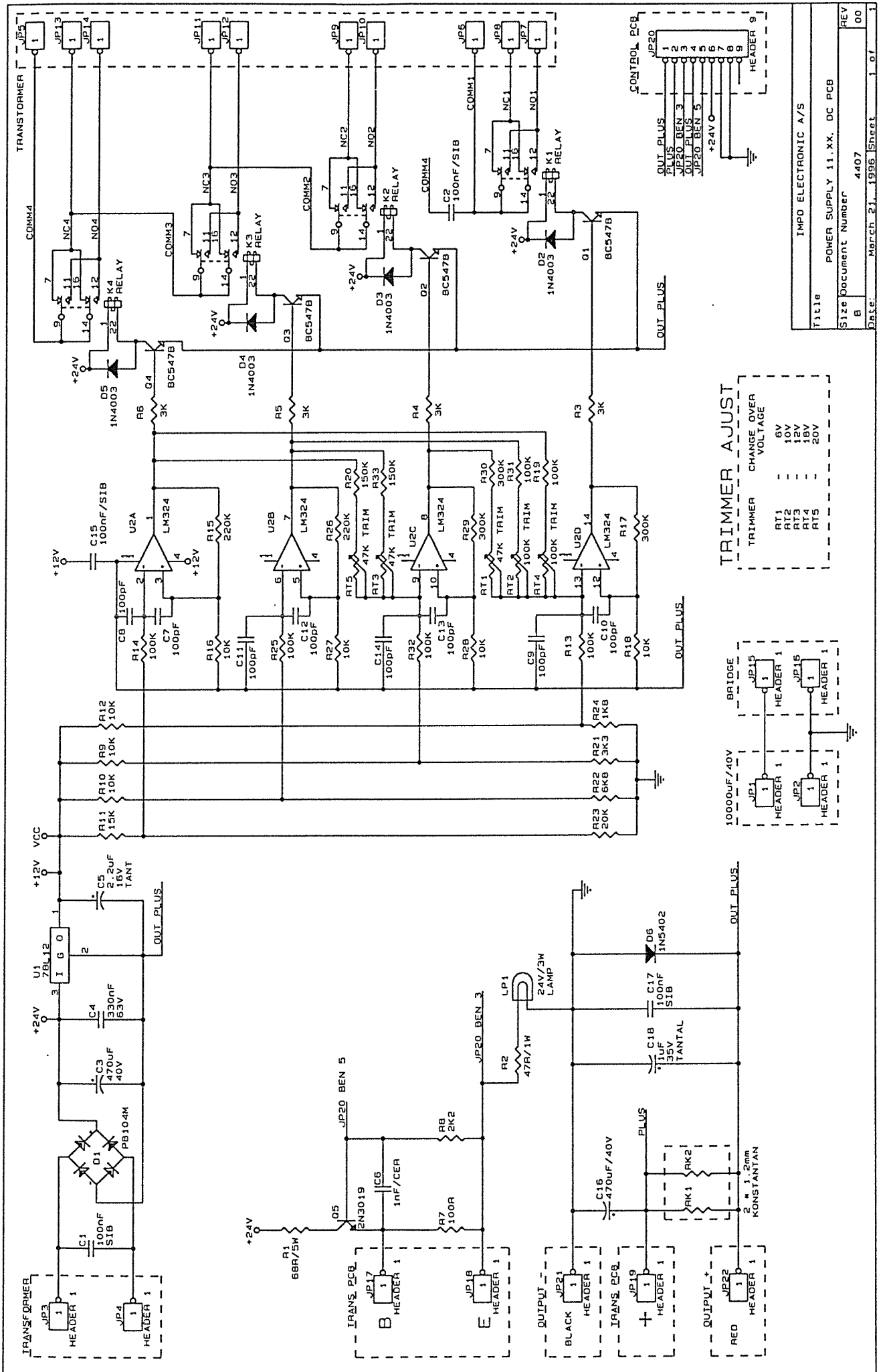
TRANSFORMATOR NR.	11.17	11.18	11.19	11.20	11.59	11.72	11.73	11.74
TRAFO_1:	290365	350075						
TRAFO_2:	280703	26780						

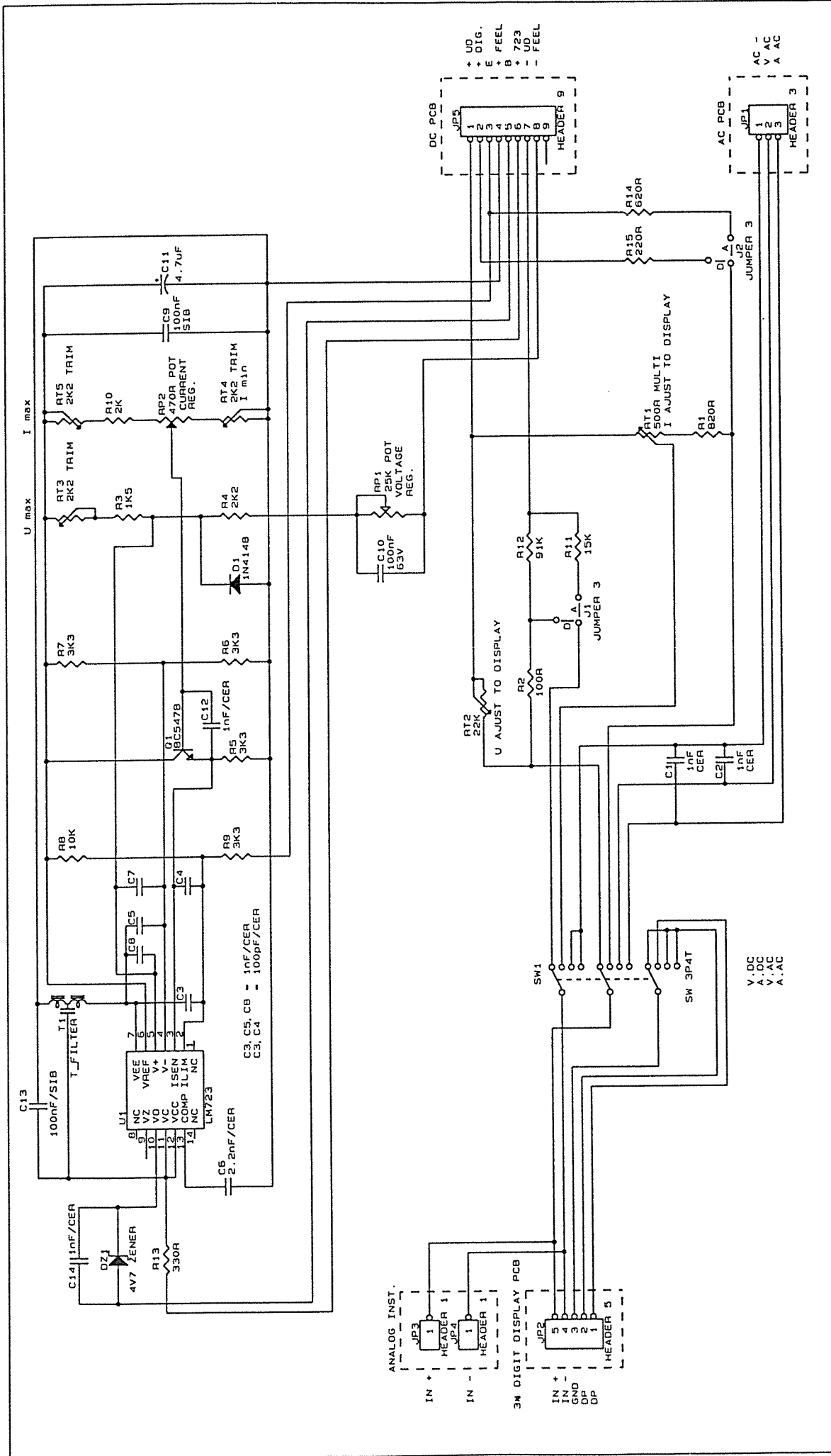


IMPO ELECTRONIC A/S	
POWER SUPPLY 11.22, Top Schematic	
Size	B
Document Number	4573
Date	Thursday, December 12, 1996
Sheet	1 of 1
Rev	A



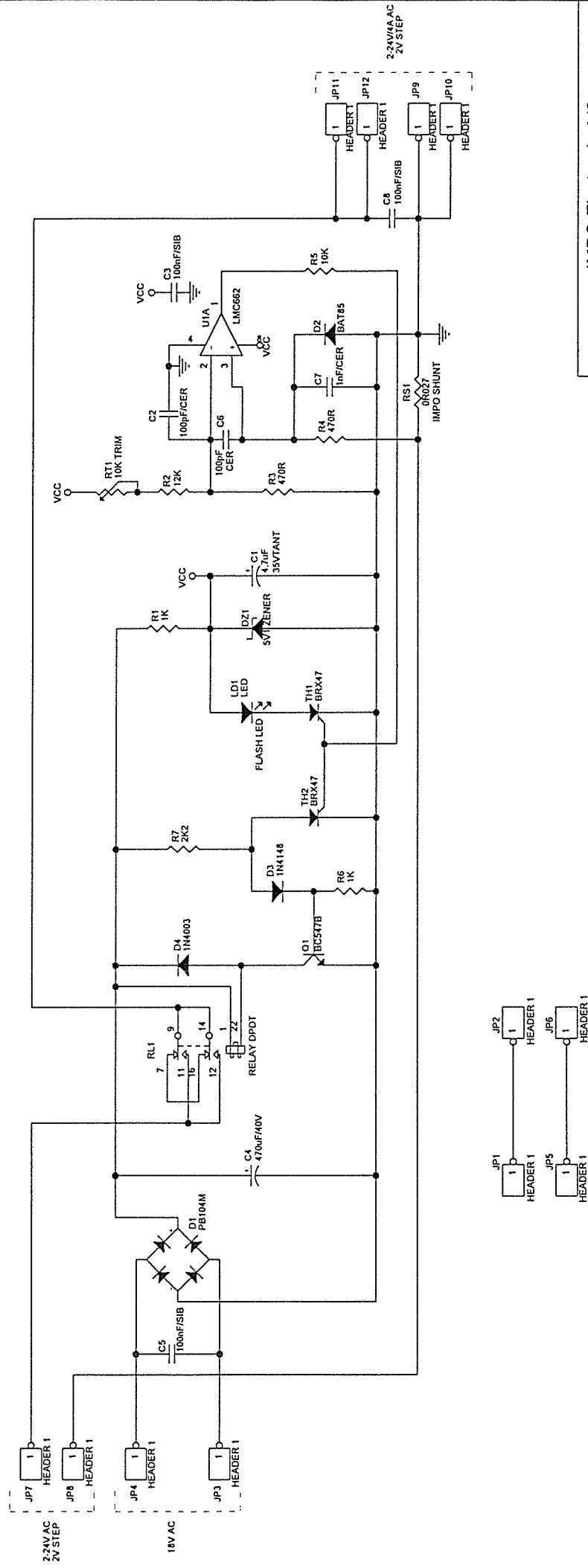
Title		IMPO ELECTRONIC A/S
Size		POWER SUPPLY 11.XX, TRANSISTOR PCB
REV		Document Number 4392
REV		00
Date:		March 21, 1995 Sheet 1 of 1



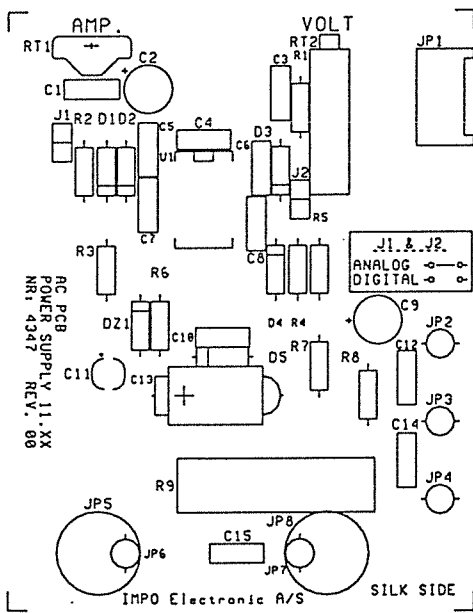


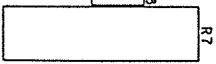
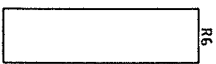
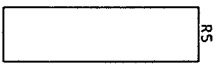
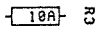
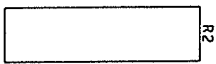
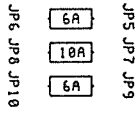
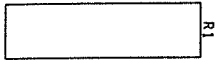
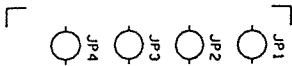
Title		IMPO ELECTRONIC A/S	
POWER SUPPLY 11.XX. CONTROL PCB			
Size	Document Number	4408	
B	REV	00	
Date:	JULY 2, 1996	Sheet	1 of 1

AUTOFUUSE



TITLE		IMPO Electronic A/S	
DESCRIPTION		POWER SUPPLY 11.XX, AUTOFUUSE	
SIZE	Document Number	4571	REV
B			A
DATE:		Thursday, December 12, 1996	Sheet

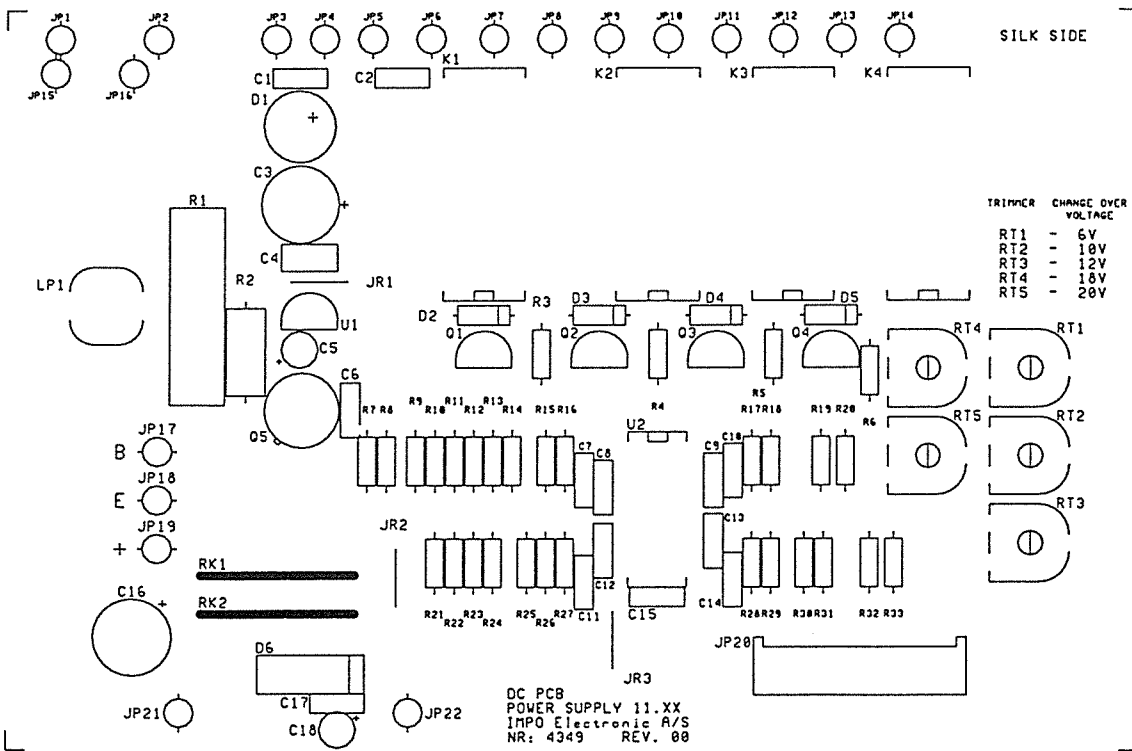


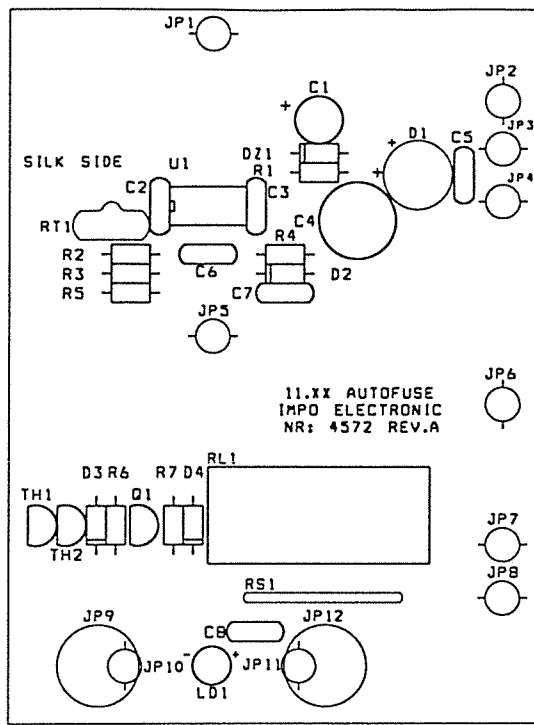


SILK SIDE

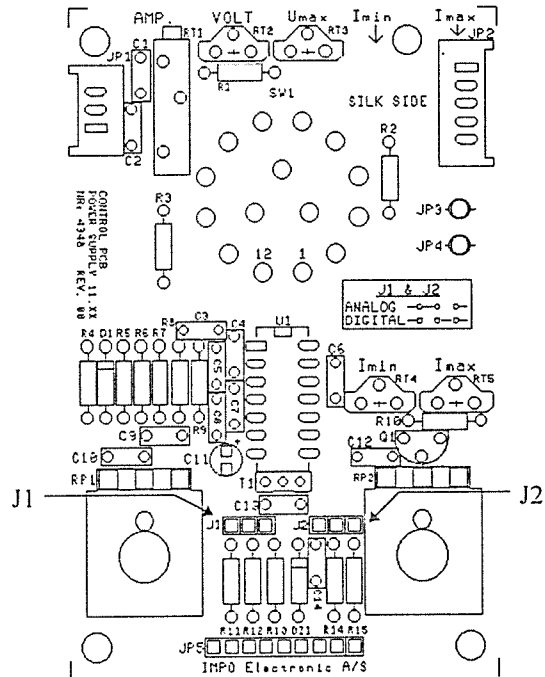
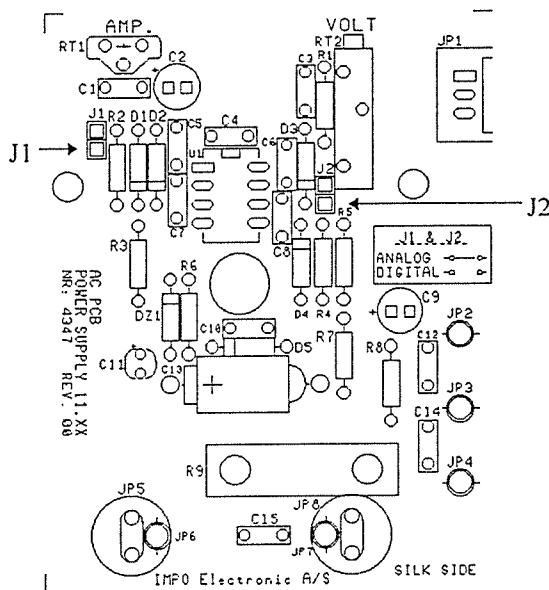


TRANSISTOR PCB
 POWER SUPPLY 11.XX
 IMPO ELECTRONIC A/S
 NR. 4391 REV. 00





Jumpersetting Power Supply 11.XX



AC PCB :

	J1 & J2
11.17	—○—○—
11.18	—○ ○—
11.19	—○—○—
11.20	—○ ○—
11.68	—○ ○—
11.69	—○—○—
11.71	—○—○—
11.72	—○ ○—
11.73	—○—○—
11.74	—○ ○—

CONTROL PCB :

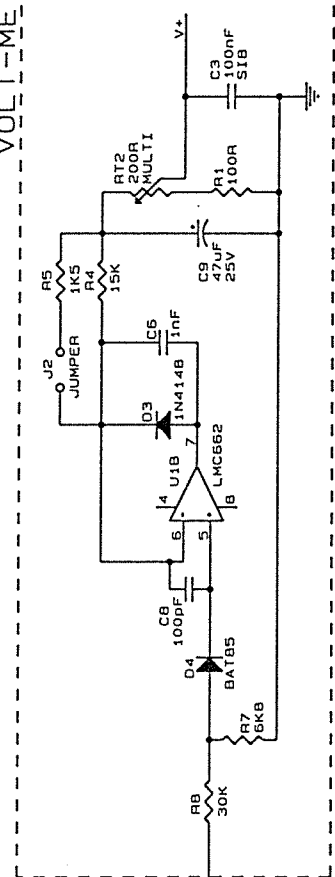
	J1 & J2
11.17	—○—○ ○—
11.18	—○ ○—○—
11.19	—○—○ ○—
11.20	—○ ○—○—
11.68	—○ ○—○—
11.69	—○—○ ○—
11.71	—○—○ ○—
11.72	—○ ○—○—
11.73	—○—○ ○—
11.74	—○ ○—○—

JUMPER SETTINGS (J1 & J2)

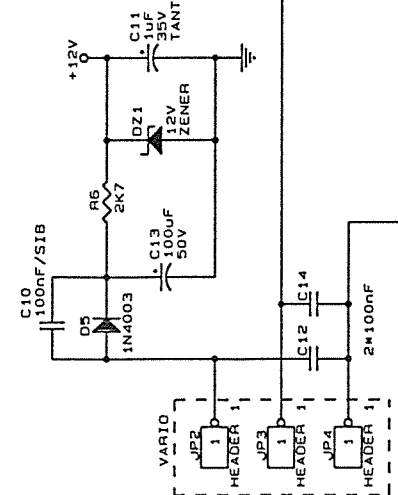
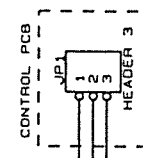
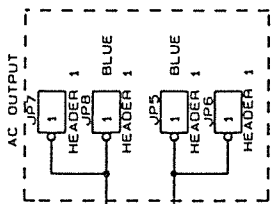
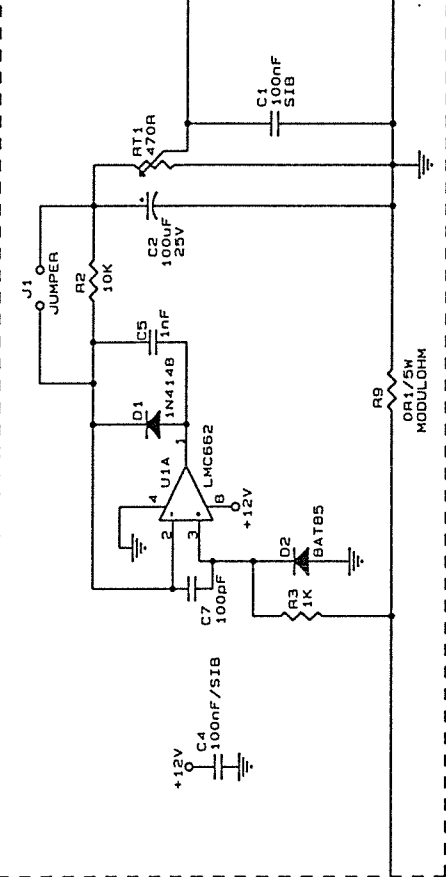
ANALOG 0-0-0

DIGITAL 0-0-0

VOLT-METER



AM-METER



Title	IMPO ELECTRONIC A/S
Size	POWER SUPPLY 11.XX, AC PCB
Document Number	B 4406
REV	00
Date:	APR. 12, 1995 Sheet 1 of 1